



LOTO SAFETY REQUISITES TRADING L.L.C.
 Tel:+971-4-4539779 Fax:+971-4-4539778 DUBAI - UAE
 E-mail:info@lotosafetyproducts.com

CALL US TODAY: +971-50-5843270
www.lotosafetyproducts.com

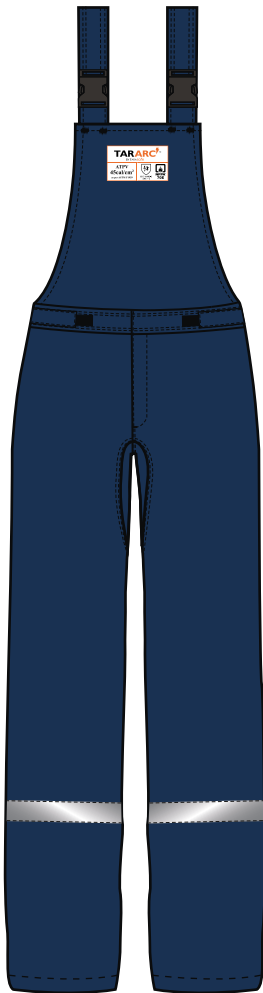
ARC FLASH 45 CAL KIT COMPOSITION



VALLUM

ARC FLASH KIT 45 CAL - NAVY BLUE

BIB



COAT



HOOD BAG



HOOD WITH FAN



GEAR BAG

Model No.: BLOKARC-VLM45-KTWF

--	--	--	--	--	--	--	--



LOTO SAFETY REQUISITES TRADING L.L.C.
 Tel:+971-4-4539779 Fax:+971-4-4539778 DUBAI - UAE
 E-mail:info@lotosafetyproducts.com

CALL US TODAY: +971-50-5843270
www.lotosafetyproducts.com

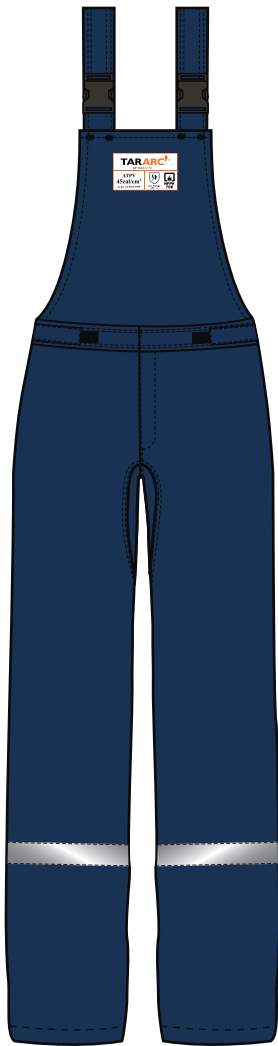
ARC FLASH 45 CAL BIB OVERALL



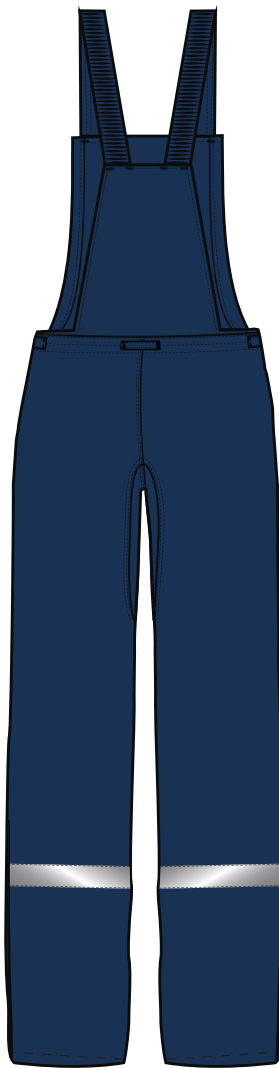
VALLUM



FRONT



BACK



Composition
3 Layered Modarylic Aramid Multi Fiber Blend
Weave: Rip Stop
Finish: Durable Flame Retardant
Weight: 470 GSM ($\pm 5\%$)

--	--	--	--	--	--	--	--

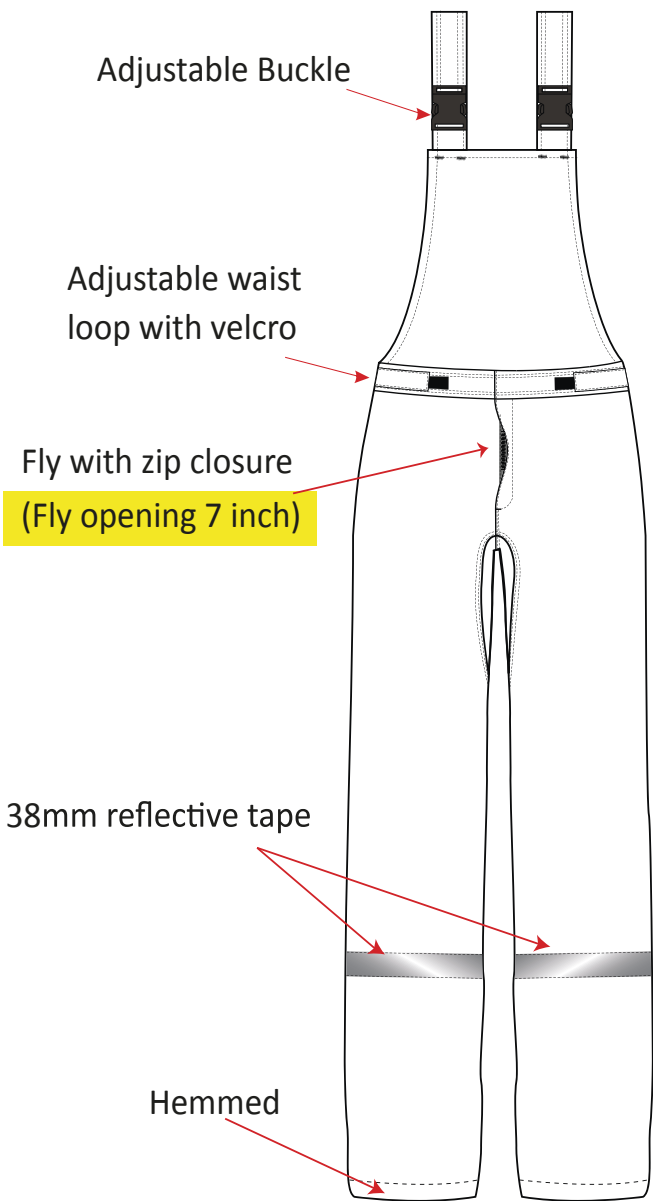


ARC FLASH 45 CAL BIB OVERALL

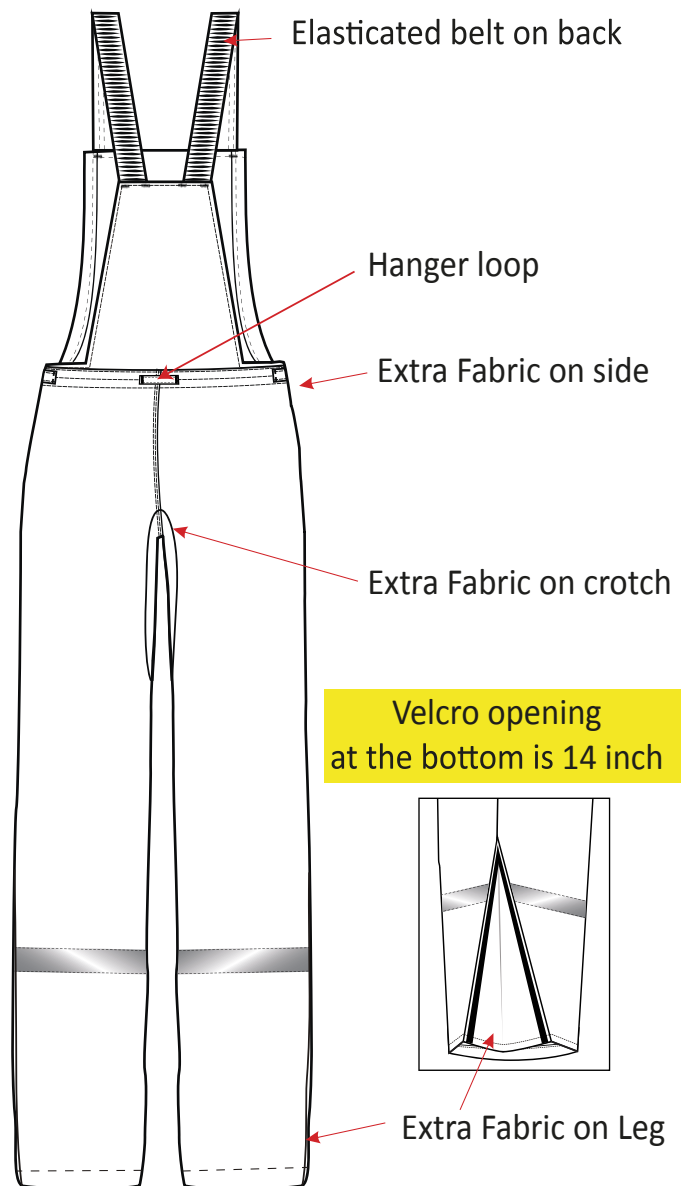


VALLUM

FRONT



BACK



--	--	--	--	--	--	--	--



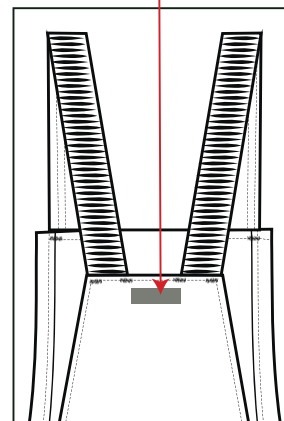
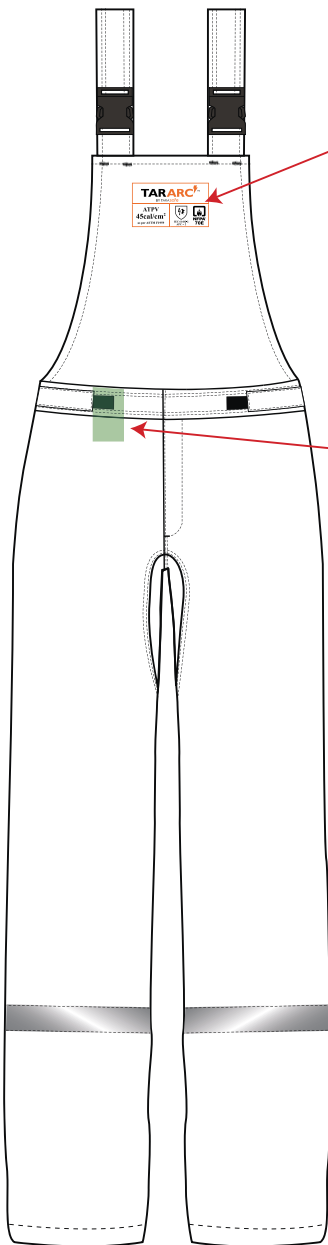
ARC FLASH 45 CAL BIB OVERALL - LABEL



VALLUM



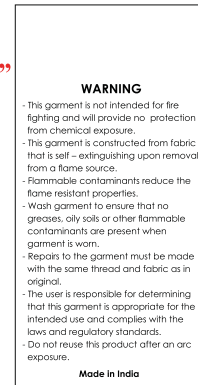
LABELING



Main label
 Position : Front right waist inside



Warning label
 Position : Under the main label





LOTO SAFETY REQUISITES TRADING L.L.C.
 Tel:+971-4-4539779 Fax:+971-4-4539778 DUBAI - UAE
 E-mail:info@lotosafetyproducts.com

CALL US TODAY: +971-50-5843270
www.lotosafetyproducts.com

ARC FLASH 45 CAL 32" LENGTH COAT



VALLUM



FRONT



32 in

Composition
3 Layered Modarylic Aramid Multi Fiber Blend
Weave: Rip Stop
Finish: Durable Flame Retardant
Weight: 470 GSM (±5%)

BACK



35.5 in

--	--	--	--	--	--	--	--



LOTO SAFETY REQUISITES TRADING L.L.C.
 Tel:+971-4-4539779 Fax:+971-4-4539778 DUBAI - UAE
 E-mail:info@lotosafetyproducts.com

CALL US TODAY: +971-50-5843270
www.lotosafetyproducts.com

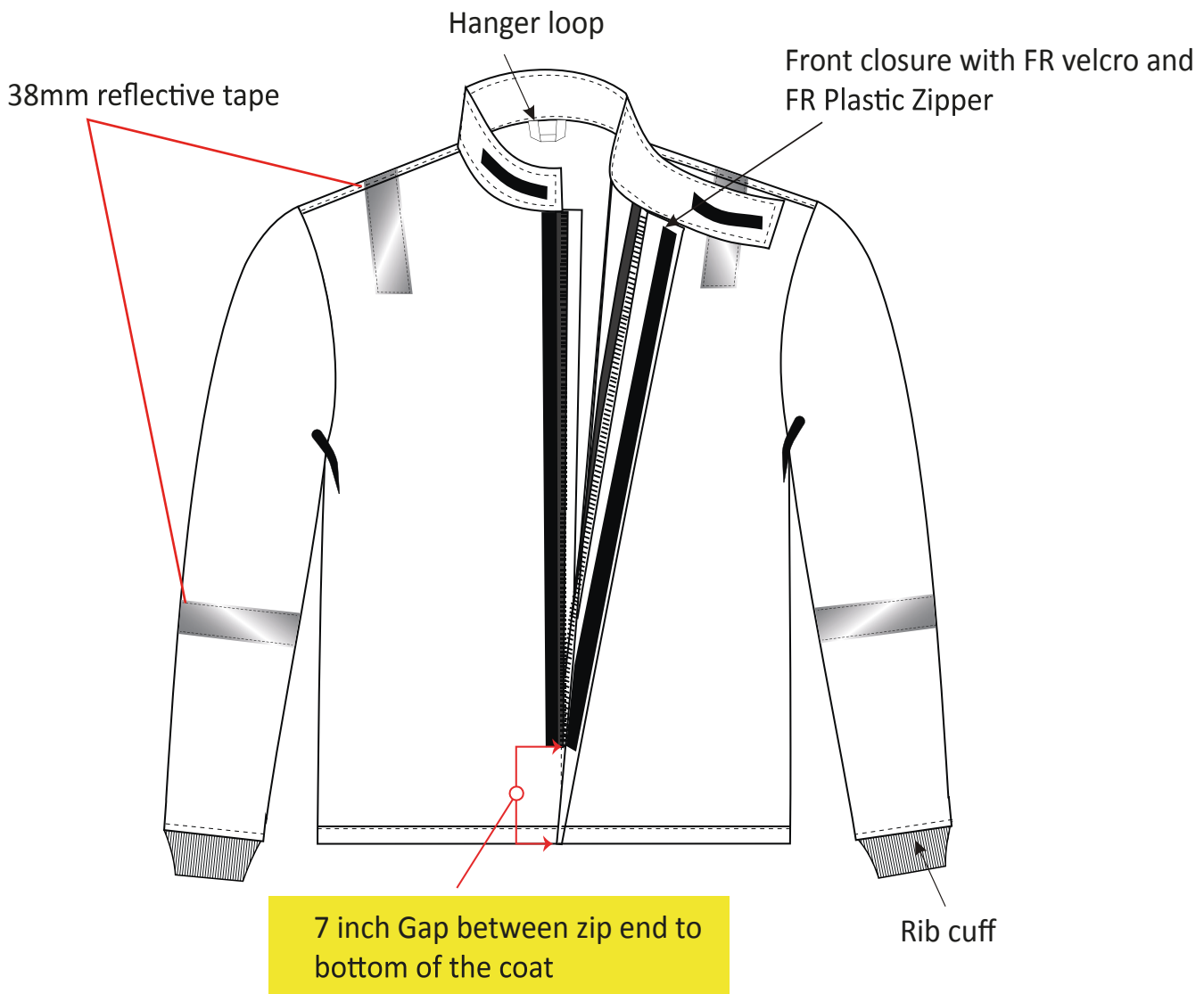
ARC FLASH 45 CAL 32" LENGTH COAT



VALLUM



FRONT



--	--	--	--	--	--	--	--



ARC FLASH 45 CAL 32" LENGTH COAT - LABEL



LABELING

Size label (changeable)
 Position: Back neck inside



Main Label
 Position: Left side seam inside

Stitch Margin 10 mm

TARARC™
 BY TARASafe
 Marketed By LOTO Safety Dubai (UAE)
BLOKARC-MHN-45SC-SMNV
TARARC 32 DUO
 Composition
 Modacrylic Aramid Multi Fiber
ARC RATING: (ATPV)- 26 cal/cm²
 as per ASTM F1959
 Meets the requirements of
ASTM F1506-19a

- Wash at 60°C.
 - Do not use detergents containing soap or chlorine.
 - Do not bleach, do not use acids when rinsing.
 - Iron at low setting.
 - Use dry cleaning agent other than Trichloroethylene.
 - Tumble dry allowed.

Care:
 - Do not iron on printed area.
 - Inspect garment before each use for damage or contaminants that impair protective qualities of the garment.
 - Failure to launder properly may affect the Flame Resistance of the garment.
 - Clean Garment thoroughly.

www.tarasafe.com

DO NOT REMOVE LABEL

Stitch Margin 10 mm

2" (width) 8" (height)

Heat Transfer label

TARARC™
 BY TARASafe

ATPV
45cal/cm²
 as per ASTM F1959

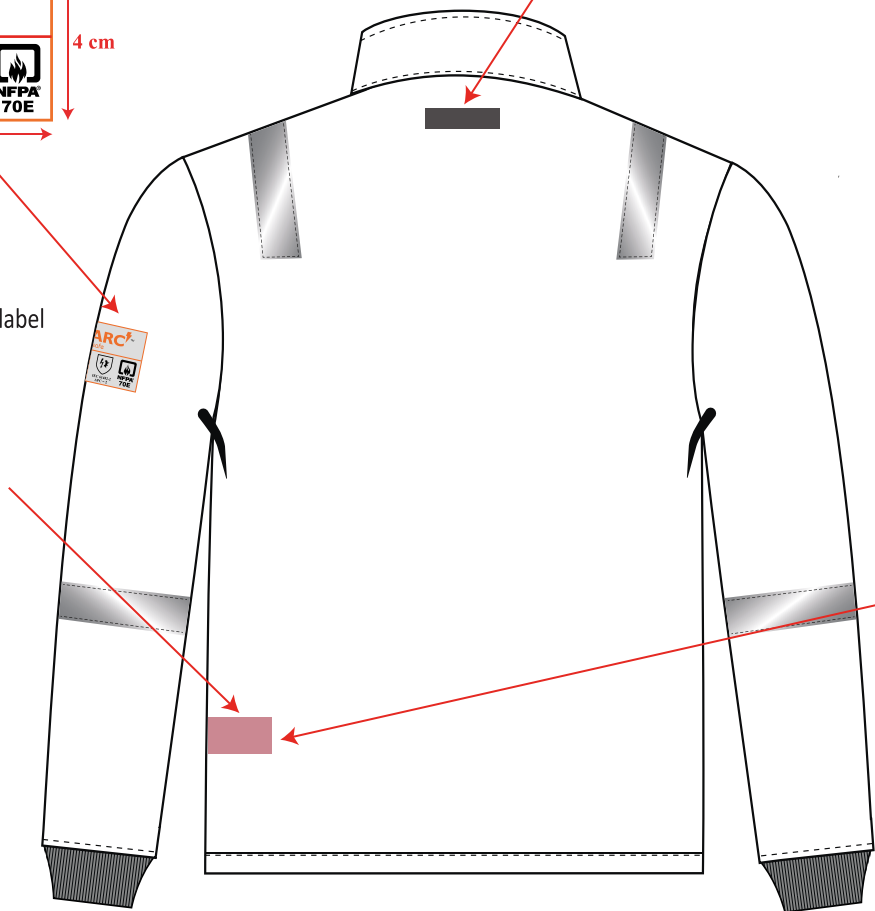
4 cm (height) 7 cm (width)

Warning label
 Position : Under the main label

WARNING

- This garment is not intended for fire fighting and will provide no protection from chemical exposure.
- This garment is constructed from fabric that is self-extinguishing upon removal from a flame source.
- Flammable contaminants reduce the flame resistant properties.
- Wash garment to ensure that no greases, oily soils or other flammable contaminants are present when garment is worn.
- Repairs to the garment must be made with the same thread and fabric as in original.
- The user is responsible for determining that this garment is appropriate for the intended use and complies with the laws and regulatory standards.
- Do not reuse this product after an arc exposure.

Made in India





LOTO SAFETY REQUISITES TRADING L.L.C.
 Tel: +971-4-4539779 Fax: +971-4-4539778 DUBAI - UAE
 E-mail: info@lotosafetyproducts.com

CALL US TODAY: +971-50-5843270
www.lotosafetyproducts.com

ARC FLASH 45 CAL HOOD WITH FAN



VALLUM

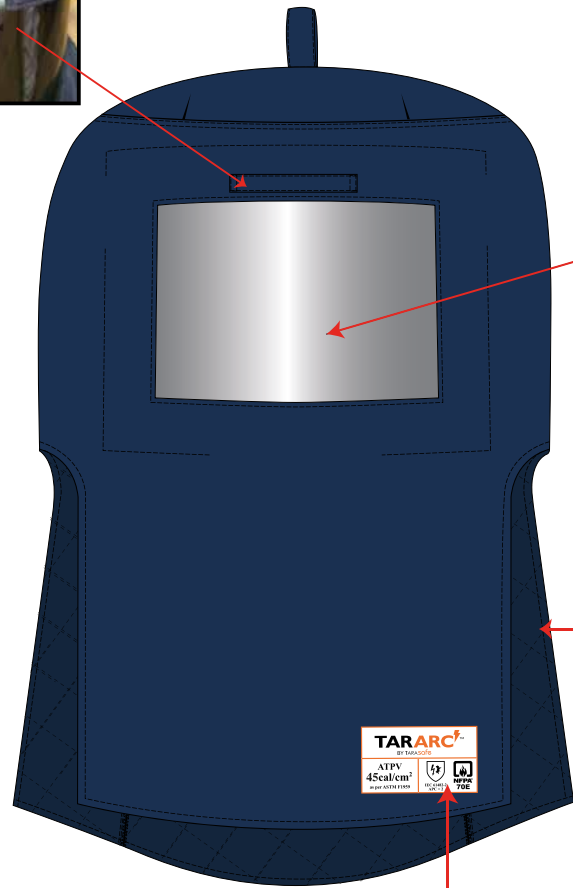


Composition
3 Layered Modarylic Aramid Multi Fiber Blend
Weave: Rip Stop
Finish: Durable Flame Retardant
Weight: 470 GSM (±5%)

Loop For attached light



FRONT



OBERON (USA)
True Color Grey
Faceshield

Lining inside

Heat Transfer label





LOTO SAFETY REQUISITES TRADING L.L.C.
Tel:+971-4-4539779 Fax:+971-4-4539778 DUBAI - UAE
E-mail:info@lotosafetyproducts.com

CALL US TODAY: +971-50-5843270
www.lotosafetyproducts.com

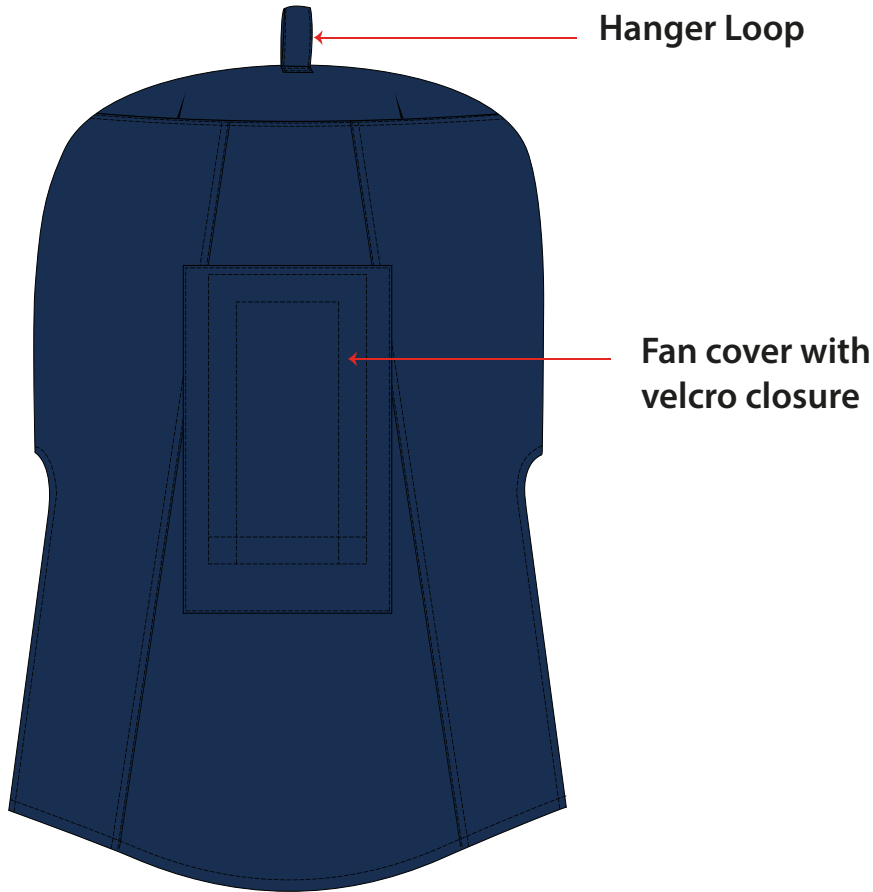
ARC FLASH 45 CAL HOOD WITH FAN



VALLUM



BACK



Hanger Loop

Fan cover with velcro closure

 EN 61482-1-1	 EN 61482-1-2 APC=2	 F2621	 F1506	 NFPA 70E 34	 ATPV 45 CAL/CM² ASTM F 1959	 EN 13759-2 40+	 CE Certified Design
---	--	--	--	---	--	--	--

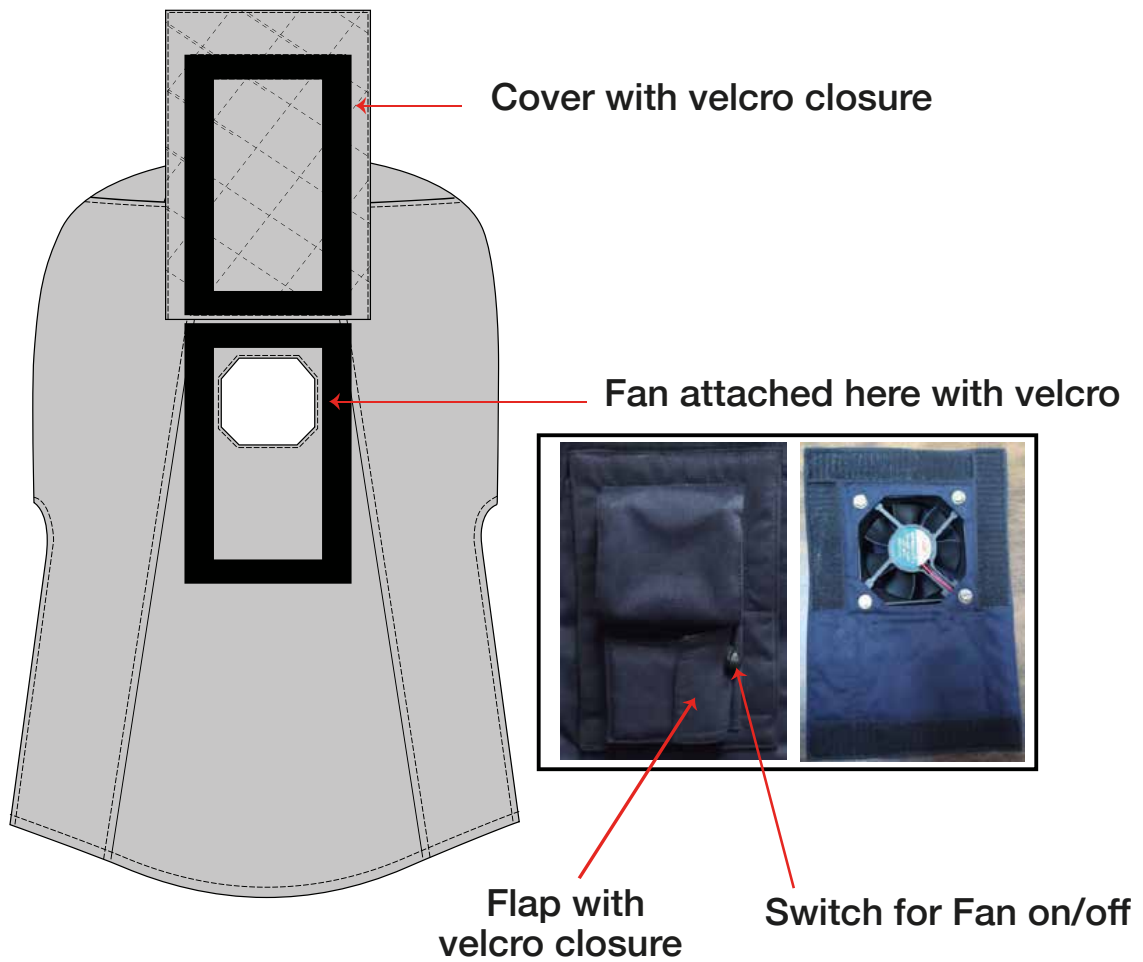


ARC FLASH 45 CAL HOOD WITH FAN



VALLUM

FAN DETAILS



--	--	--	--	--	--	--	--



ARC FLASH 45 CAL HOOD WITH FAN - LABEL



VALLUM

LABELING

Stitch Margin 10 mm

TARARC™
 BY TARAsafe

Marketed By LOTO Safety Dubai (UAE)
BLOKARC-VLM-45HD-WF
TARARC 40+ TRIO
 Composition
 3 Layered Modacrylic Aramid Multi Fiber Blend

ARC RATING: (ATPV)- 45 cal/cm²
 as per ASTM F1959
 Meets the requirements of
 ASTM F1506-19a

- Wash at 60°C.
- Do not use detergents containing soap or chlorine.
- Do not bleach, do not use acids when rinsing.
- Iron at low setting.
- Use dry cleaning agent other than Trichloroethylene.
- Tumble dry allowed.

Care:

- Do not iron on printed area.
- Inspect garment before each use for damage or contaminants that impair protective qualities of the garment.
- Failure to launder properly may affect the Flame Resistance of the garment.
- Clean Garment thoroughly.

www.tarasafe.com

DO NOT REMOVE LABEL

Stitch Margin 10 mm

2"

8"

WARNING

- This garment is not intended for fire fighting and will provide no protection from chemical exposure.
- This garment is constructed from fabric that is self – extinguishing upon removal from a flame source.
- Flammable contaminants reduce the flame resistant properties.
- Wash garment to ensure that no greases, oily soils or other flammable contaminants are present when garment is worn.
- Repairs to the garment must be made with the same thread and fabric as in original.
- The user is responsible for determining that this garment is appropriate for the intended use and complies with the laws and regulatory standards.
- Do not reuse this product after an arc exposure.

Made in India

TARARC™
 BY TARAsafe

ATPV
45cal/cm²
 as per ASTM F1959

8 cm

4.6 cm



MEASUREMENT CHART - CMS / INCHES



VALLUM

BIB OVERALL SIZING: US/EU

BIB OVERALL MEASUREMENT CHART (In CMS)							Size Spec # 496	
Particulars	Tolerance (+/-)cm	S	M	L	XL	XXL	3XL	
Waist	1	81.3	91.4	101.6	111.8	121.9	127.0	
Hip	1	101.6	111.8	121.9	132.1	142.2	147.3	
Length	1	149.9	149.9	149.9	149.9	149.9	149.9	
Inseam	1	78.7	78.7	78.7	78.7	78.7	78.7	
Fly opening	1	17.8	17.8	17.8	17.8	17.8	17.8	
Velcro opening at the bottom	1	35.6	35.6	35.6	35.6	35.6	35.6	

BIB OVERALL MEASUREMENT CHART (In INCHES)							Size Spec # 496	
Particulars	Tolerance (+/-)cm	S	M	L	XL	XXL	3XL	
Waist	1	32"	36"	40"	44"	48"	50"	
Hip	1	40"	44"	48"	52"	56"	58"	
Length	1	59"	59"	59"	59"	59"	59"	
Inseam	1	31"	31"	31"	31"	31"	31"	
Fly opening	1	7"	7"	7"	7"	7"	7"	
Velcro opening at the bottom	1	14"	14"	14"	14"	14"	14"	





MEASUREMENT CHART - CMS / INCHES



VALLUM

SHORT COAT SIZING: US/EU

32" LENGTH COAT MEASUREMENT CHART (In CMS)						Size Spec # 467	
Particulars	Tolerance (+/-)cm	SMALL	MEDIUM	LARGE	X-LARGE	XXL	3XL
Chest	1	121.9	132.1	137.2	147.3	152.4	162.6
Front Length from collar joint till bottom	1	81.3	81.3	81.3	81.3	81.3	81.3
Sleeve Length	1	63.5	66.0	66.0	66.0	66.0	66.0
Center back length	1	90.2	90.2	90.2	90.2	90.2	90.2
Zipper Length (7 INCH GAP FROM BOTTOM)	1	63.5	63.5	63.5	63.5	63.5	63.5
SHOULDER	1	50.8	55.9	58.4	61.0	63.5	63.5

32" LENGTH COAT MEASUREMENT CHART (In INCHES)						Size Spec # 467	
Particulars	Tolerance (+/-)cm	SMALL	MEDIUM	LARGE	X-LARGE	XXL	3XL
Chest	1	48"	52"	54"	58"	60"	64"
Front Length from collar joint till bottom	1	32"	32"	32"	32"	32"	32"
Sleeve Length	1	25	26	26	26	26	26
Center back length	1	35.5"	35.5"	35.5"	35.5"	35.5"	35.5"
Zipper Length (7 INCH GAP FROM BOTTOM)	1	25"	25"	25"	25"	25"	25"
SHOULDER	1	20	22	23	24	25	25





FABRIC SPECIFICATION SHEET



VALLUM



TARARC 40+ Trio

Tararc™ is a range of Arc rated solutions providing outstanding protection against risks involved during Electric arc flash. These solutions provide superior wearer comfort and outstanding durability.

LIGHT WEIGHT SELF-EXTINGUISHING SOFT GOOD HANDLE NON-ALLERGIC

TECHNICAL CHARACTERSTICS

COMPOSITION	3 Layered Modacrylic Aramid Multi Fiber Blend
WEAVE	Rip Stop
FINISH	Durable Flame Retardant
WEIGHT	470 GSM (±5%)

PARAMETERS	STANDARD	WARP	WEFT
TENSILE STRENGTH	EN ISO 13934-1	950 N	600 N
TEAR STRENGTH	EN ISO 13937-2	23 N	23N
DIMENSIONAL STABILITY (60°C)	EN ISO 6330 / ISO 5077	± 3%	± 3%
HEAT SHRINKAGE (180±5°C)	ISO 17493:2000	<5%	
COLOR PERFORMANCE	ISO 105 C06	Grade 3 - 4	
CARE INSTRUCTION			

NORMS	PARAMETERS	RESULT
EN 61482-1-2	Electric Arc Protection	APC=2
IEC 61482-1-2	EU Certified- Vallum Jacket & Bib Trouser	APC=2
IEC 61482-1-1	Electric Arc Exposure (Open Arc Test)	ATPV- 45 cal/cm ²
NFPA 70E	Electric Arc Exposure - ASTM F1959 ASTM F2621-19 – Vallum Jacket/ Bib Trouser	ATPV- 45 cal/cm ²
	Additional Testing – ASTM F1506-19	Met